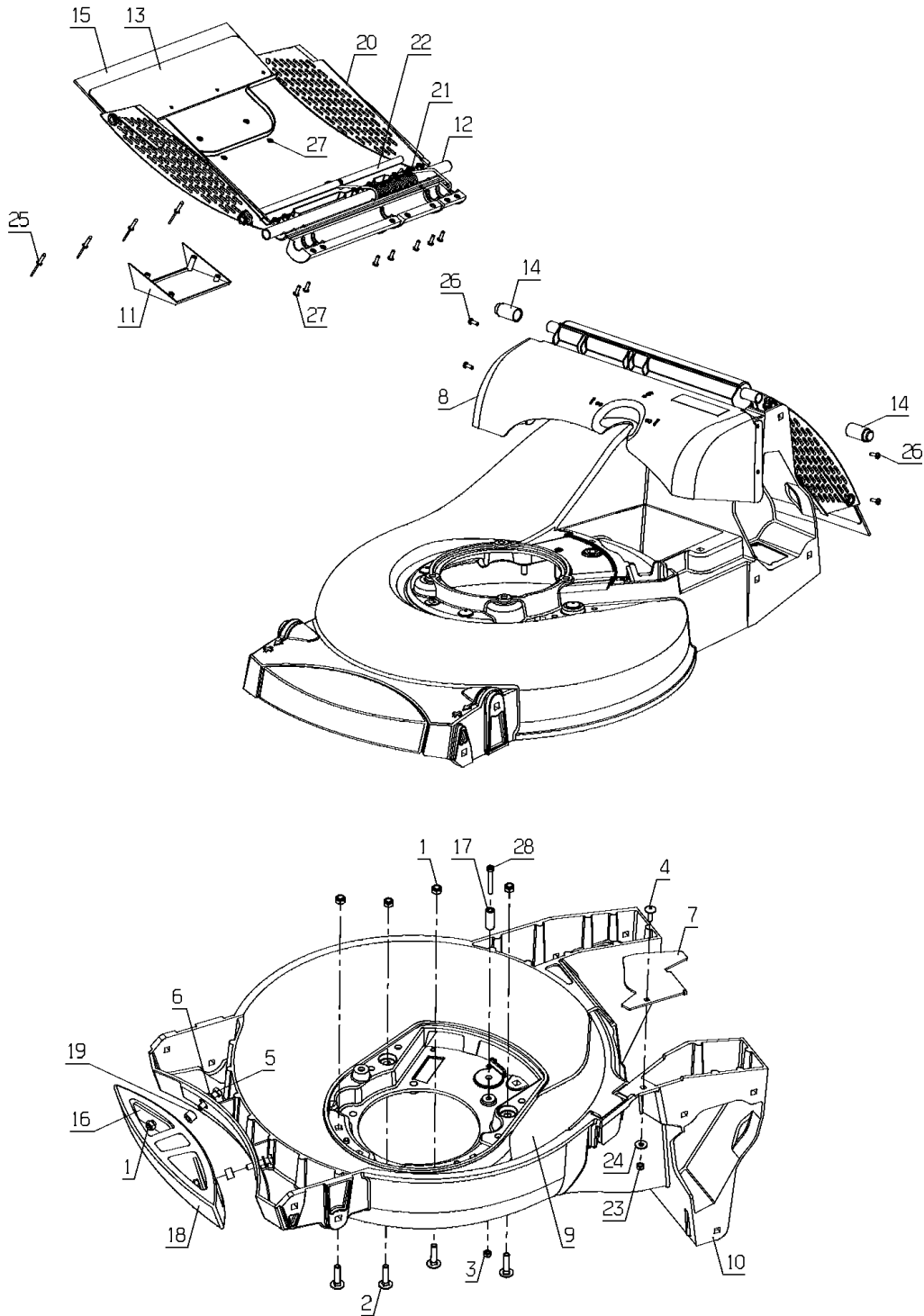


Number	Part Number	Name	Quantity
1	5464	BOLT M5X10	1,000
2	6416	WASHER	1,000
3	7377	TRUARC COLLAR DIN 7	1,000
4	9061	BOLT 8X30	1,000
5	21481	WASHER	1,000
6	21608	SCREW 6X16 DIN	1,000
7	23029	KNUCKLE RING	1,000
8	24610	BUTTON (SMALL)	1,000
9	35511	SPACER D9/D5,2X6	1,000
10	35559	SCREW JM8-45	1,000
11	40816	HANDLE BAR	1,000
12	38148	THROTTLE CABLE	1,000
13	40102	PIVOT	1,000
14	40509	SPACER	1,000
15	40524	SPACER D9/D5,2X4,3	1,000
16	40530	SPACER	1,000
17	40532	SPACER	1,000
18	40539	LATCH	1,000
19	40543	THROTTLE INDEXING	1,000
20	40544	INDEXED DISK	1,000
21	40545	SLIDER	1,000
22	40547	CAM VARIATOR	1,000
23	40549	LOCK	1,000
24	40550	PLATE	1,000
25	40553	PLATE SPACER	1,000
26	40555	THROTTLE LEVER	1,000
27	40559	AXLE	1,000
28	40561	CAM AXLE	1,000
29	40563	COVER	1,000
30	40564	COVER	1,000
31	40565	SPRING	1,000
32	40566	40566	1,000
33	40568	FEDER	1,000
34	40569	SPRING	1,000
35	40572	BLADE BRAKE CABLE	1,000
36	40573	VARIATOR PLATE	1,000
37	39671	TRANSMISSION CABLE	1,000
38	40576	RIGHT SHELL	1,000
39	40577	LEFT SHELL	1,000
40	40803	BOW	1,000
41	40805	40805	1,000

Number	Part Number	Name	Quantity
42	40810	BOW	1,000
43	40813	BRACKET	1,000
44	40821	BRACKET	1,000
45	40826	VARIATOR LEVER	1,000
46	42675	SPACER	1,000
47	43558	STOP	1,000
48	71048	BOLT EJ.PT KA40X10	1,000
49	71050	BOLT EJ.PT KA40X14	1,000
50	71201	NUT M6	1,000
51	71074	NUT HM8	1,000
52	71096	WASHER B6,4	1,000
53	71135	SCREW 5X25	1,000
54	71355	HEX.SCREW M6X10	1,000
55	71274	WASHER B8.4	1,000
56	5399	BOLT M5X40	1,000
57	71308	LOCK NUT M5	1,000
58	71407	SCREW JM6-60	1,000
59	71408	SCREW CHC M5-20	1,000
60	71409	SCREW FHC/90 M5-30	1,000
61	71462	SCREW JM6-75	1,000
62	40556	SPRING	1,000
63	35778	HANDLE BAR STOP	1,000

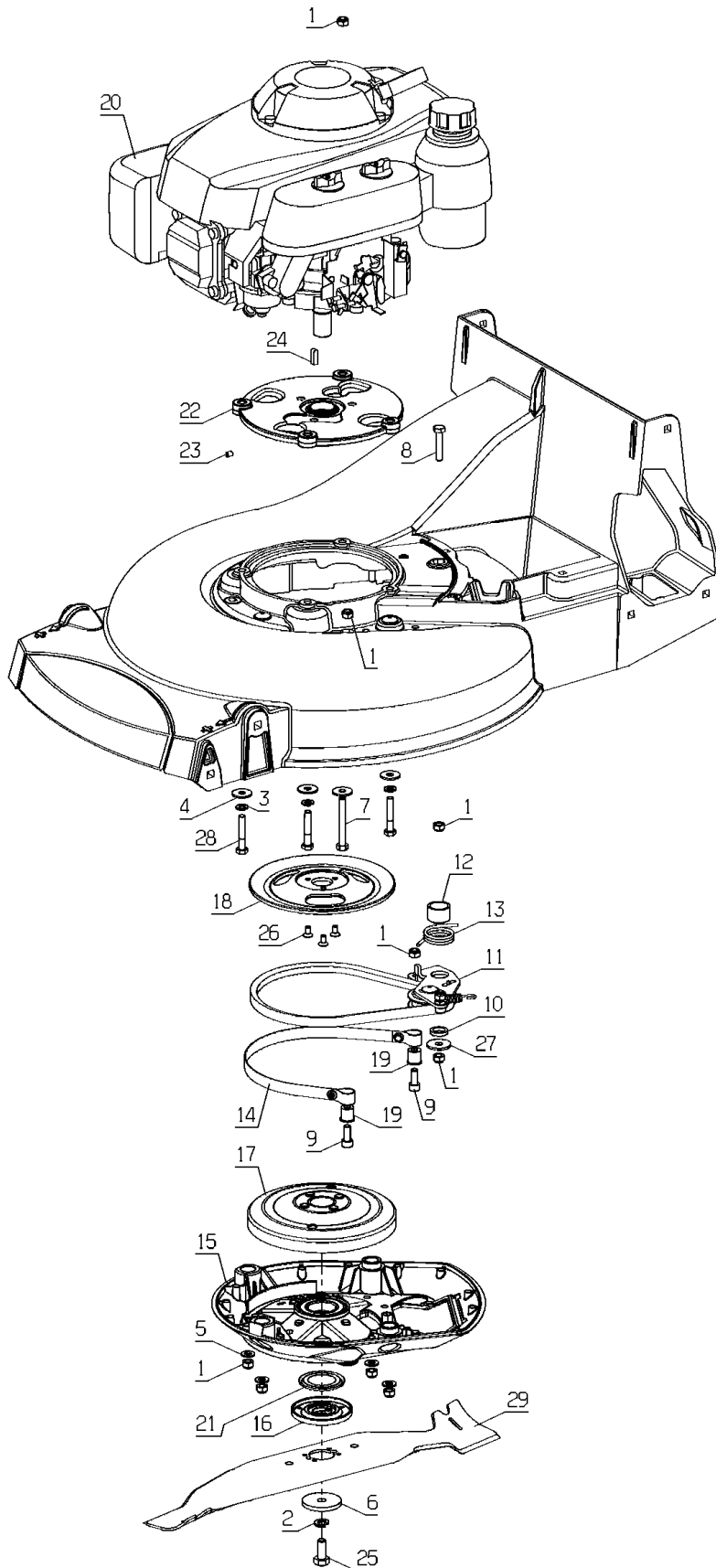
PL02263



12/2015

Number	Part Number	Name	Quantity
1	71205	SCREW M8	1,000
2	5041	BOLT 8X30	1,000
3	71201	NUT M6	1,000
4	5496	SCREW 6X20	1,000
5	7038	SCREW,DIN933 H M 8X	1,000
6	7335	WASHER	1,000
7	36248	COVER	1,000
8	37029	BLOCK.PUMP COVER	1,000
9	37265	SEALING PLATE	1,000
10	37816	CUTTING DECK P53 WH	1,000
11	40047	GRIP	1,000
12	40528	TUBE	1,000
13	40551	FLAPPER PLATE	1,000
14	40578	HINGE RING	1,000
15	40589	DEFLECTOR FLAPPER	1,000
16	42059	BUMPER PLATE	1,000
17	42027	BUSH 12X6,5X32,5	1,000
18	42042	FRONT BUMPER	1,000
19	42043	BUSH 15X8,5X10	1,000
20	43154	DEFLECTOR	1,000
21	43122	SPRING	1,000
22	43126	DEFLECTOR REINFORC.	1,000
24	71096	WASHER B6,4	1,000
25	71112	DIA.4X18 STAR RIVET	1,000
26	71279	SCREW B.42-13 4.6	1,000
27	71299	SCREW EJPT KA 40X14	1,000
28	71342	SCREW M6X45 8.8	1,000

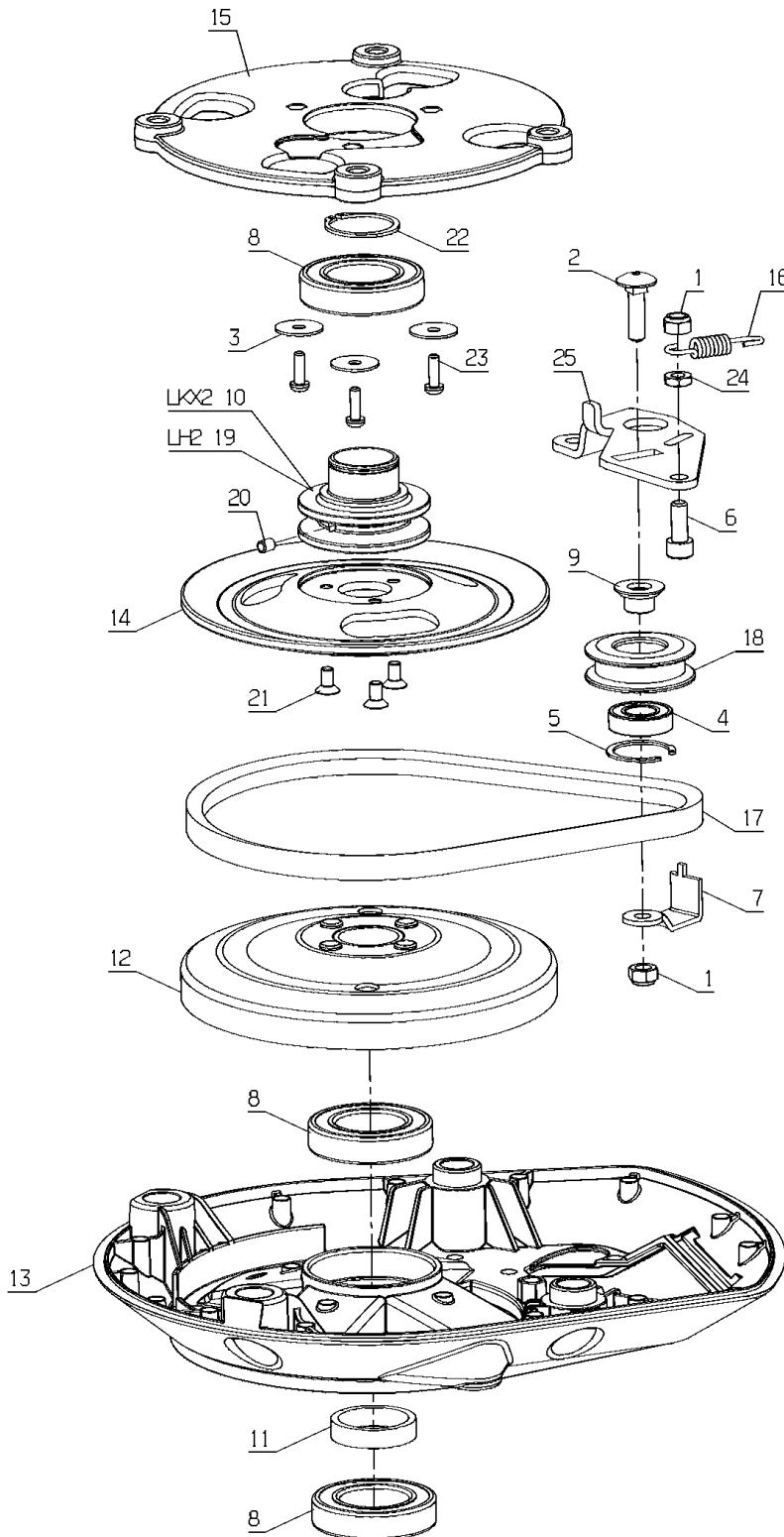
PL02258



12/2015

Number	Part Number	Name	Quantity
1	71205	SCREW M8	1,000
2	71052	SPRING WASHER,DIN 1	1,000
3	6416	WASHER	1,000
4	7035	FLAT WASHER	1,000
5	7335	WASHER	1,000
6	7341	FLAT WASHER 10,3X49	1,000
7	20633	HEX.SCREW 8X65	1,000
8	21114	BOLT 8X40	1,000
9	22011	BOLT M 8X20	1,000
10	24046	VARIATOR PIVOT	1,000
11	36872	BRAKE TENSIONER CPL	1,000
12	36947	SPACER	1,000
13	36948	TORSION SPRING	1,000
14	37895	BRAKE STRIP	1,000
15	39336	BLADE HOLDER CPLT	1,000
16	39481	BLADE WASHER	1,000
17	39482	HALF PULLEY	1,000
18	39804	FLYWHEEL	1,000
19	40538	BRAKE STRIP BLOCK	1,000
20	42151	ENGINE HONDA GXV160	1,000
21	50541	WASHER	1,000
22	51426	ENGINE BRACKET CPLT	1,000
23	52022	SCREW M6-8	1,000
24	52096	KEY	1,000
25	70086	HEXAGON SCREW,DIN 9	1,000
26	71021	SCREW FHC/90 M6X12	1,000
27	71311	WASHER 8X30X2,5	1,000
28	71426	SCREW H 5/16" UNF45	1,000
29	RZ53VN	BLADE 53CM	1,000

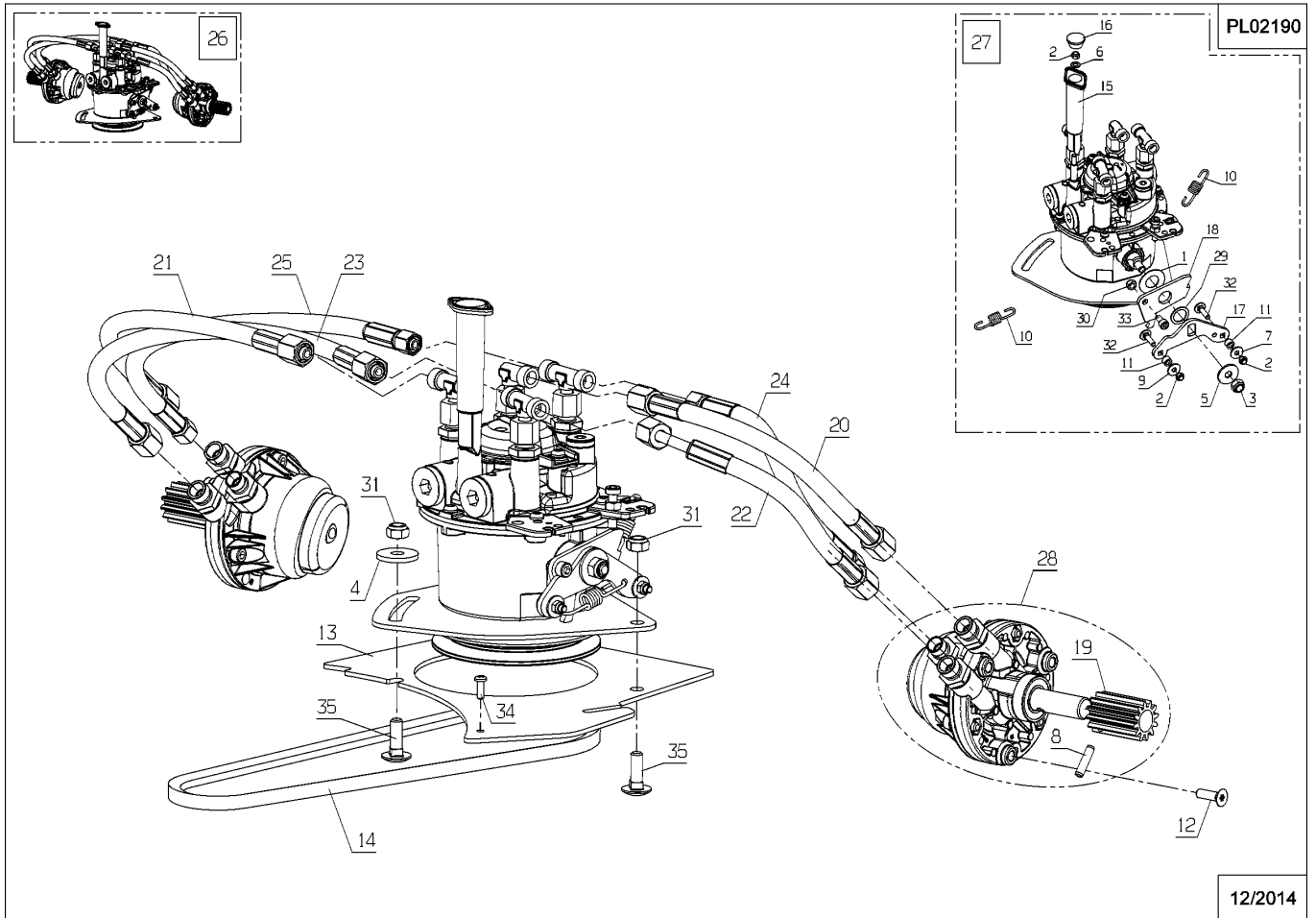
PL02259



12/2015

Number	Part Number	Name	Quantity
1	71205	SCREW M8	1,000
2	5041	BOLT 8X30	1,000
3	5604	WASHER	1,000
4	9022	BALL BEARING 6002	1,000
5	21256	CIRCLIP	1,000
6	22011	BOLT M 8X20	1,000
7	24155	BELT STOP	1,000
8	24832	BEARING 6007-2RS1	1,000
9	24836	RING	1,000
10	39807	PULLEY DIA. 25	1,000
11	39480	SPACER	1,000
12	39482	HALF PULLEY	1,000
13	39803	BLADE HOLDER	1,000
14	39804	FLYWHEEL	1,000
15	39808	ENGINE BRACKET	1,000
16	40591	SPRING	1,000
17	42009	BELT AX25-13X8X660	1,000
18	42070	IRON PULLEY DIA.45	1,000
19	51427	PULLEY DIA. 25,4	1,000
20	52022	SCREW M6-8	1,000
21	71021	SCREW FHC/90 M6X12	1,000
22	71174	CIRCLIP 35X1,5	1,000
23	71211	BOLT EJ-PT 50X16	1,000
24	71347	NUT M8X1,25	1,000
25	37467	CLUTCH PLATE	1,000

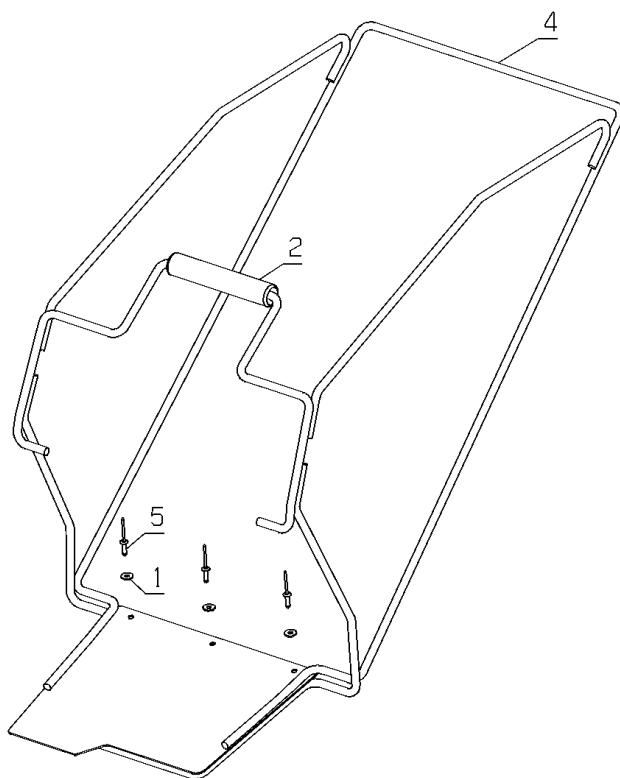
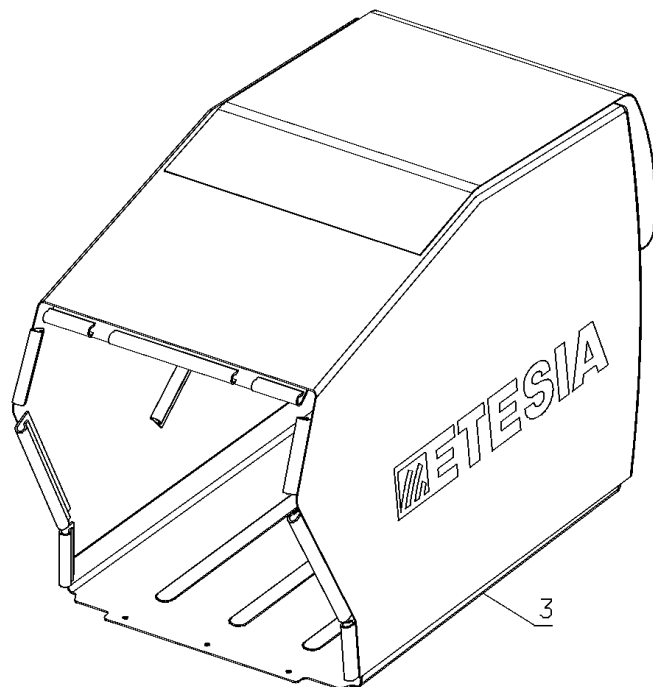
Number	Part Number	Name	Quantity
1	5067	WASHER BELLEVILLE	1,000
2	71201	NUT M6	1,000
3	37997	SCREW HM6-16 8.8	1,000
4	5472	WHEEL CAP	1,000
5	7914	SCREW	1,000
6	9017	NUT HM10	1,000
7	9022	BALL BEARING 6002	1,000
8	9071	SCREW M8X20	1,000
9	21270	WASHER 6,4	1,000
10	27071	HANDLE DECORATION	1,000
11	35778	HANDLE BAR STOP	1,000
12	35033	WHEEL AXLE	1,000
13	40531	RING	1,000
14	40585	SPACER	1,000
15	40594	GRIP	1,000
16	40814	WHEEL BRACKET	1,000
17	40827	WHEEL BRACKET	1,000
18	40828	WHEEL BRACKET	1,000
19	42507	INTERNAL GEAR	1,000
20	42519	WHEEL COVER BLACK	1,000
21	42608	REAR WHEEL PLUG	1,000
22	42650	FRONT WHEEL CPLT GR	1,000
23	42654	REAR WHEEL CPLT GR.	1,000
24	51789	BRAKE	1,000
25	51877	CUT. HGT.R.R.PLATE	1,000
26	51880	CUT. HGT.R.L.PLATE	1,000
27	51882	CUT.HGT.FRONT PLATE	1,000
28	51874	CUTTG.HEIGHT PLATE	1,000
29	71044	CAP SCREW,DIN 912-8	1,000
30	71070	SCREW 8X30	1,000
32	71074	NUT HM8	1,000
33	71094	WASHER 6,4	1,000
34	71145	NUT 536	1,000
35	71196	SCREW M6X12	1,000
36	71355	HEX.SCREW M6X10	1,000
37	71393	CIRCLIP	1,000
38	71395	SCREW JM10-80	1,000
39	71396	CIRCLIP	1,000
40	71397	SPRING	1,000
41	71456	SCREW M 8X25	1,000



Number	Part Number	Name	Quantity
1	1511	WASHER 31.5X16X1	1,000
2	37561	NUT	1,000
3	71205	SCREW M8	1,000
4	5444	WASHER	1,000
5	7035	FLAT WASHER	1,000
6	20564	WASHER 5,5	1,000
7	21481	WASHER	1,000
8	21609	PIN 5X22	1,000
9	24181	Nouvelle pièce	1,000
10	24838	SPRING	1,000
11	35511	SPACER D9/D5,2X6	1,000
12	36962	SCREW FX M6-20 TX30	1,000
13	37926	PUMP BRACKET	1,000
14	37967	BELT ZPZ 787	1,000
15	37980	BY PASS BUTTOM	1,000
16	40519	BUTTOM	1,000
17	40708	TRACTION LEVER	1,000
18	40711	DEAD POINT STOP	1,000
19	40722	GEAR	1,000
20	40729	HOSE	1,000
21	40730	HOSE	1,000
22	40731	HOSE	1,000
23	40732	HOSE	1,000
24	40733	HOSE	1,000
25	40734	HOSE	1,000
26	40843	TRANSMISS. LH/LKX2	1,000
27	40992	HYD. PUMP	1,000
28	40993	HYD. ENGINE	1,000
29	71016	WASHER 16X22X1	1,000
30	71201	NUT M6	1,000
31	71074	NUT HM8	1,000
32	71183	SCREW M5X20	1,000
33	71355	HEX.SCREW M6X10	1,000
34	71279	SCREW B.42-13 4.6	1,000
35	71456	SCREW M 8X25	1,000

RU53E

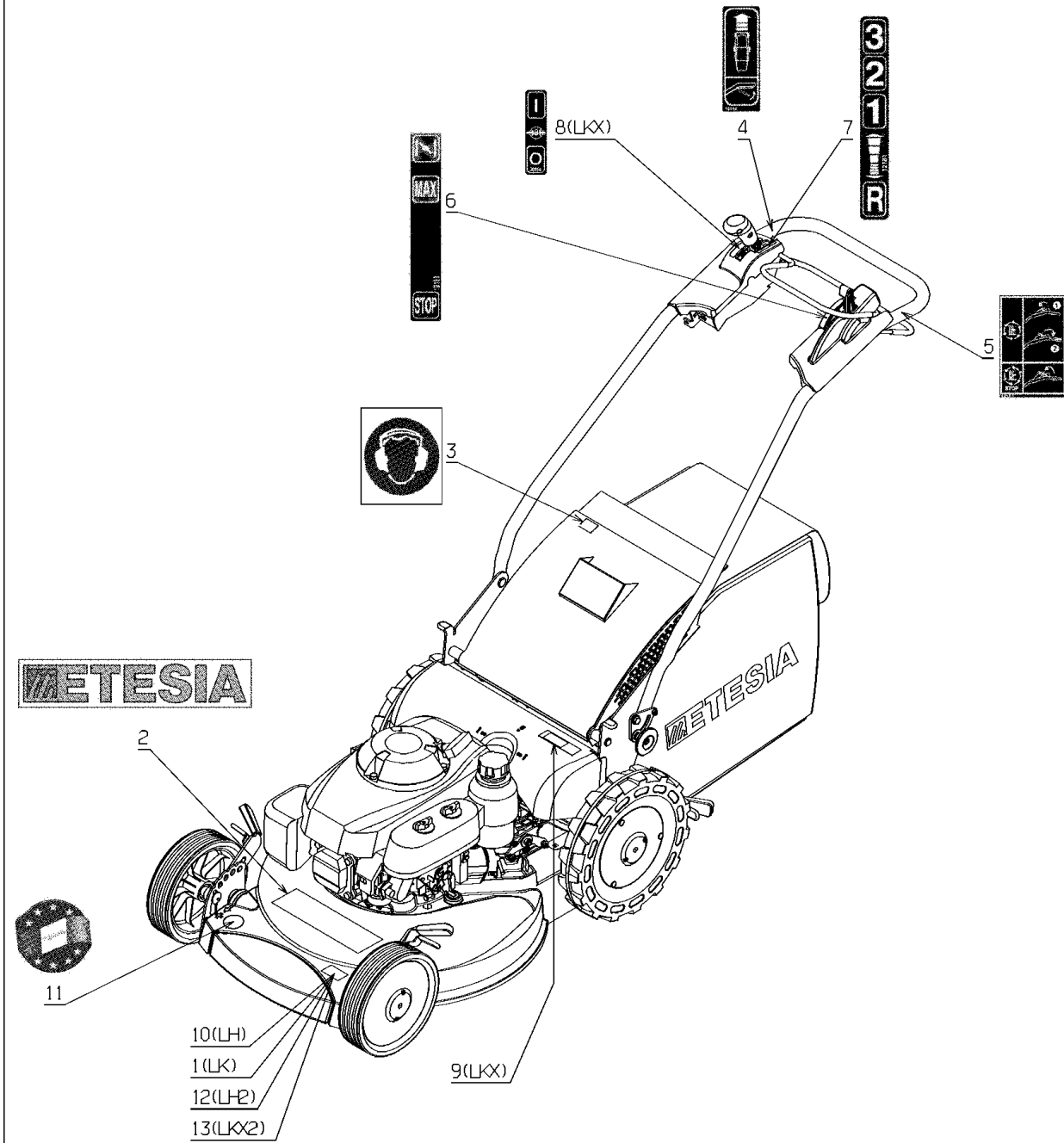
PL01276



02/2010

Number	Part Number	Name	Quantity
1	7094	FLAT WASHER	1,000
2	24991	-> 2X 24903	1,000
3	40660	GRASBAG	1,000
4	40849	GRASBAG FRAME	1,000
5	71113	NAIL RIVET, DIA. 4X	1,000

PL01574



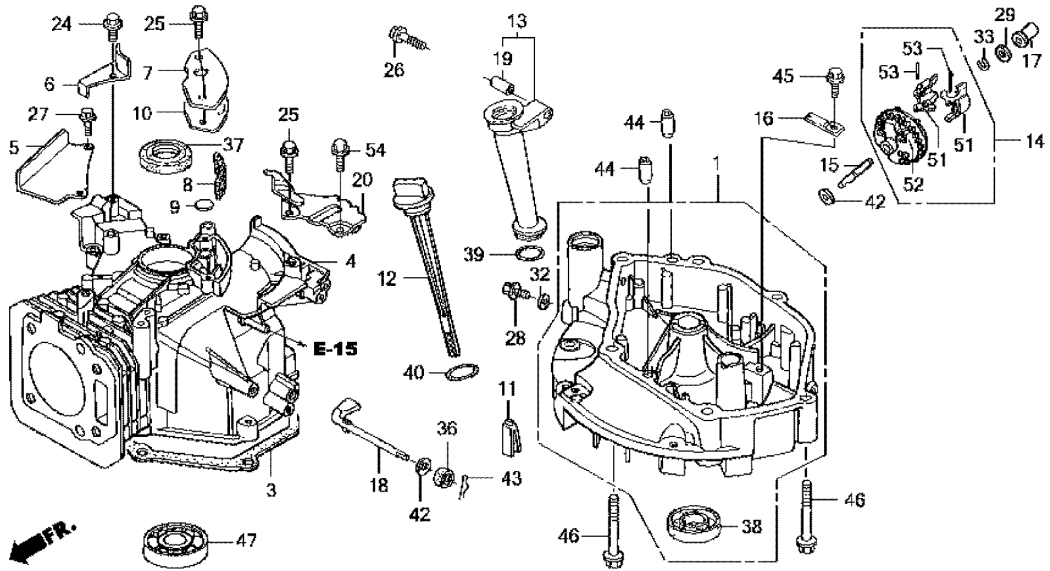
12/2015

Number	Part Number	Name	Quantity
1	11507	LK STICKER	1,000
2	12048	STICKER 26*4	1,000
3	12136	SOUNDPROOF LABEL	1,000
4	12146	ADVANCE LABEL	1,000
5	12163	BLADE CLUTCH STICKE	1,000
6	12169	START STICKER	1,000
7	12181	STICKER	1,000
8	38284	STICKER	1,000
9	38334	STICKER LKX	1,000
10	38336	STICKER LH	1,000
11	38728	STICKER FRANCE/EURO	1,000
12	12226	STICKER LH2	1,000
13	12224	STICKER LKX2	1,000

Number	Part Number	Name	Quantity
1	19007	INLET VALVE GUIDE	1,000
2	19008	OUTLET VALVE GUIDE	1,000
3	19006	CYLINDER HEAD	1,000
4	18502	CIRCLIP	1,000
5	19010	CYLIND.HEAD GASKET	1,000
6	19011	COVER	1,000
7	19016	GASKET	1,000
8	18506	SCREW 6X14	1,000
10	19115	STUD 6X109	1,000
11	19116	STUD 6X85	1,000
12	19141	STUD 10X16	1,000
13	19149	BOLT 8X50	1,000
14	3861	SPARK PLUG D.14X19R	1,000

HONDA GXV 160

PL01481



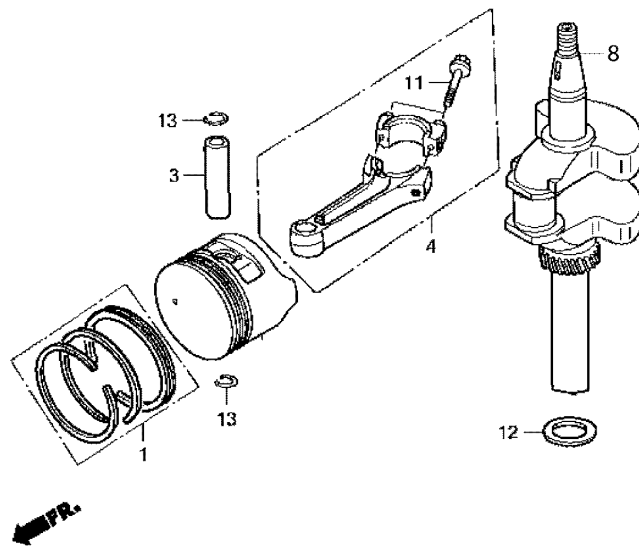
E-3

04/2009

Number	Part Number	Name	Quantity
1	19001	LOWER CRANKCASE	1,000
3	19002	GASKET	1,000
4	19003	CYLINDER	1,000
5	19004	GUIDE PLATE	1,000
6	19005	GUIDE PLATE	1,000
7	19012	BREATHER COVER	1,000
8	19013	BREATHER FILTER	1,000
9	19014	BREATHER VALVE	1,000
10	19015	GASKET	1,000
11	19030	CAOUTCHOUC	1,000
12	19031	OIL LEVEL DIPSTICK	1,000
13	19032	FILLER NECK	1,000
14	19047	REGULATOR	1,000
15	19050	REGULATOR SHAFT	1,000
16	19051	REGULATOR PLATE	1,000
17	19052	REGULATOR SLIDE	1,000
18	19053	REGULATOR ARM	1,000
19	18696	SHAFT	1,000
20	19078	BRACKET	1,000
24	18505	SCREW 6X12	1,000
25	18506	SCREW 6X14	1,000
26	19113	BOLT 6X32	1,000
27	18627	SCREW	1,000
28	19117	BOLT	1,000
29	18523	WASHER 6MM	1,000
32	19125	WASHER	1,000
33	18524	CIRCLIPS	1,000
36	19127	GASKET 6X11X4	1,000
37	19128	GASKET 25X38X7	1,000
38	19129	GASKET 25.4X40X7	1,000
39	19130	GASKET 22.1 X 2.2	1,000
40	19131	GASKET 25.5 X 3	1,000
42	18527	WASHER 6MM	1,000
43	18528	CUP	1,000
44	19140	BUSH 8X14	1,000
45	19147	BOLT 6X12	1,000
46	19149	BOLT 8X50	1,000
47	19150	BALL BEARING 6205	1,000
51	19048	REGULATOR WEIGHT	1,000
52	19049	BRACKET	1,000
53	18519	COTTER PIN	1,000

HONDA GXV 160

PL01482



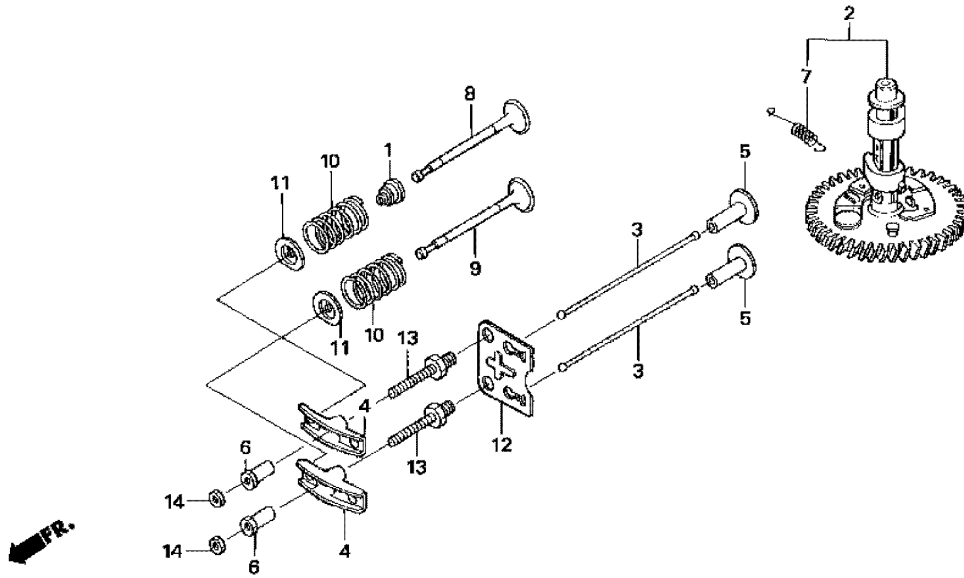
E-7

04/2009

Number	Part Number	Name	Quantity
1	19017	PISTON RINGS SET	1,000
3	19018	PISTON AXLE	1,000
4	19019	CONNECTING RING	1,000
8	19020	CRANKSHAFT	1,000
11	18537	SCREW	1,000
12	19121	WASHER 25.6 MM	1,000
13	19123	RETAINING RING	1,000

HONDA GXV 160

PL01483



E-9

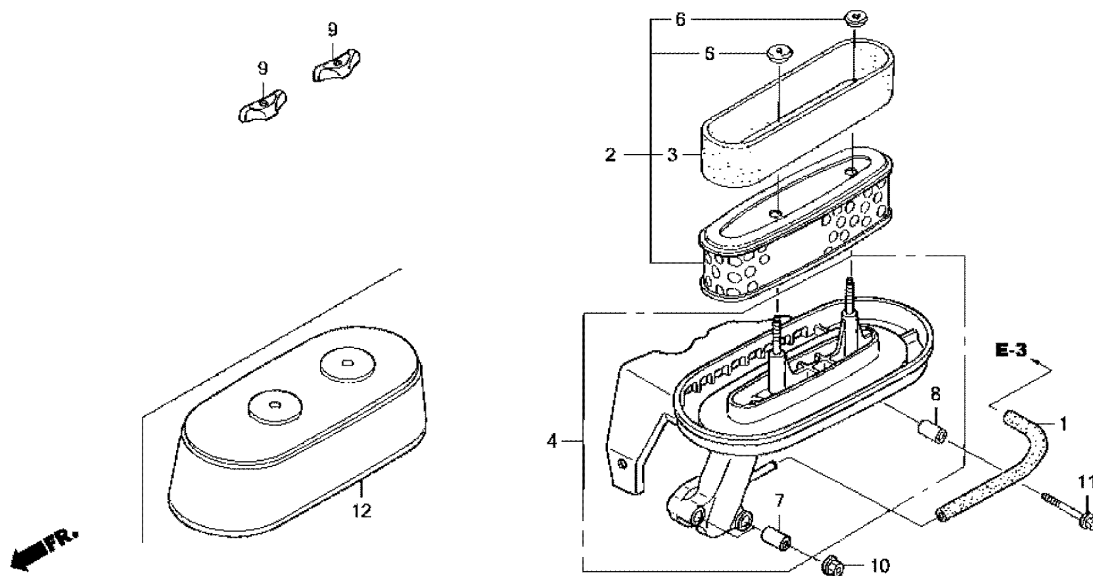
04/2009

Number	Part Number	Name	Quantity
1	19009	GASKET	1,000
2	19022	CAMSHAFT	1,000
3	19023	DRIVE ROD	1,000
4	19024	ROCKER LEVER	1,000
5	19025	TAPPET	1,000
6	18735	PIVOT ROCKER ARM	1,000
7	18736	SPRING	1,000
8	19026	INLET VALVE	1,000
9	19027	EXHAUST VALVE	1,000
10	19028	SPRING	1,000
11	18551	VALVE CUP	1,000
12	19029	BRACKET PLATE	1,000
13	18745	SCREW	1,000
14	18746	NUT	1,000

Number	Part Number	Name	Quantity
1	19034	GASKETS SET	1,000
2	19035	NEEDLE VALVE	1,000
3	19036	FLOAT SET	1,000
4	19037	FLOAT CHAMBER	1,000
5	19038	SCREWS	1,000
6	18759	SCREW & GASKET	1,000
7	18580	SCREW WITH SEAL	1,000
8	19039	STARTER	1,000
9	19040	CARBURETOR BE66NA	1,000
10	18762	SCREW	1,000
11	19041	MAIN JET	1,000
12	19042	CARBURET.INSULATOR	1,000
13	19043	GASKET	1,000
14	19044	SPACER	1,000
15	19045	GASKET	1,000
16	19064	LEVER	1,000
17	18771	CLAMP	1,000
18	18772	WASHER	1,000
19	18773	GASKET	1,000
20	18775	SCREW 3X6	1,000
21	19151	MAIN JET 65	1,000
22	19152	JET 35	1,000

HONDA GXV 160

PL01485



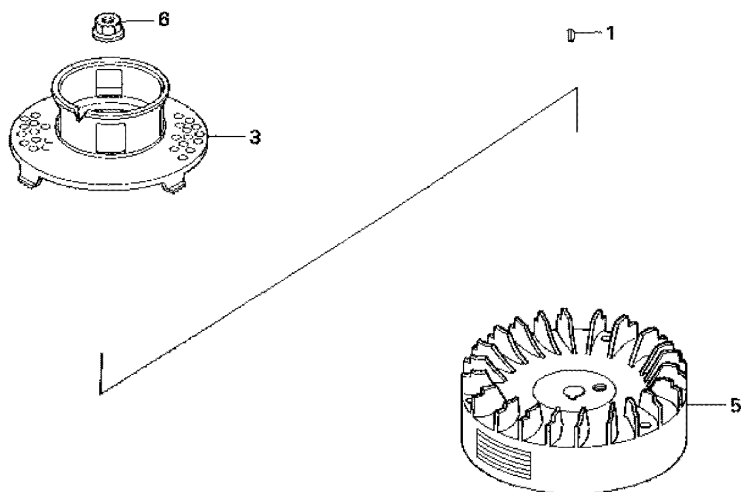
E-15

04/2009

Number	Part Number	Name	Quantity
1	19033	BREATHER TUBE	1,000
2	19065	AIR FILTER	1,000
3	19066	PRE FILTER	1,000
4	19067	FILTER BASE	1,000
6	19069	AIRFILTER RING	1,000
7	19070	COLLAR	1,000
8	19071	COLLAR	1,000
9	19119	NUT	1,000
10	18652	NUT 6MM	1,000
11	19148	BOLT 6X35	1,000
12	19068	FILTER COVER	1,000

HONDA GXV 160

PL01486



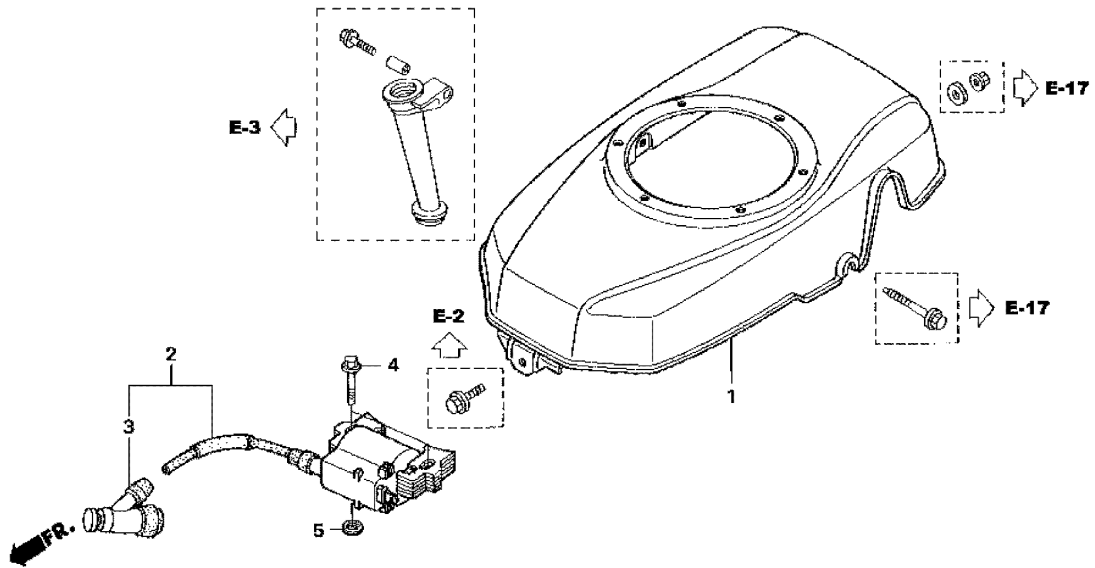
E-19

04/2009

Number	Part Number	Name	Quantity
1	18620	WOODRUFF KEY	1,000
3	19096	GRID	1,000
5	19111	FLYWHEEL	1,000
6	19118	NUT	1,000

HONDA GXV 160

PL01487



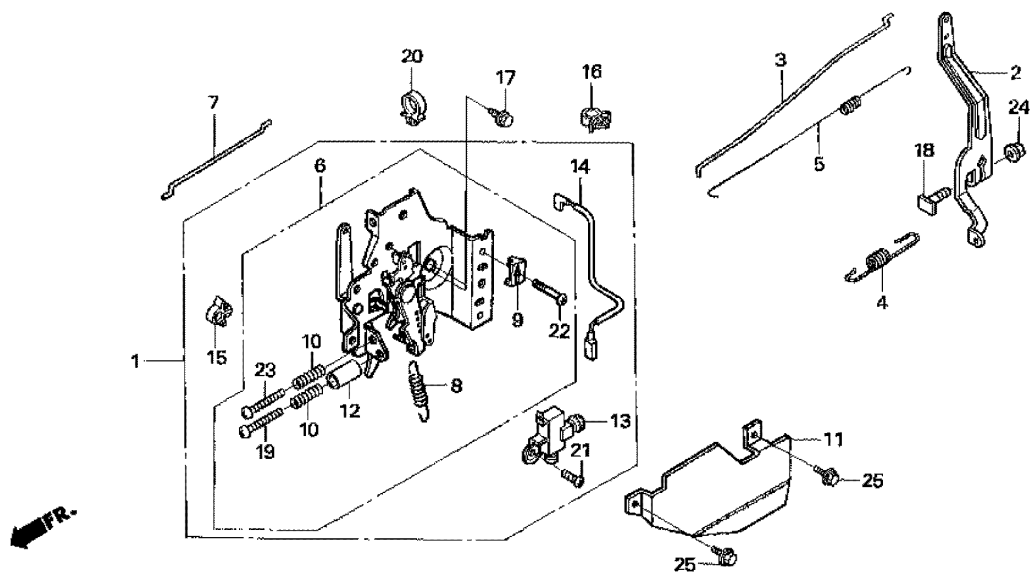
E-12

04/2009

Number	Part Number	Name	Quantity
1	19087	HOOD	1,000
2	19099	COIL	1,000
3	19100	ANTIPARASITIC	1,000
4	18801	BOLT 8X32	1,000
5	19204	GASKET	1,000

HONDA GXV 160

PL01488



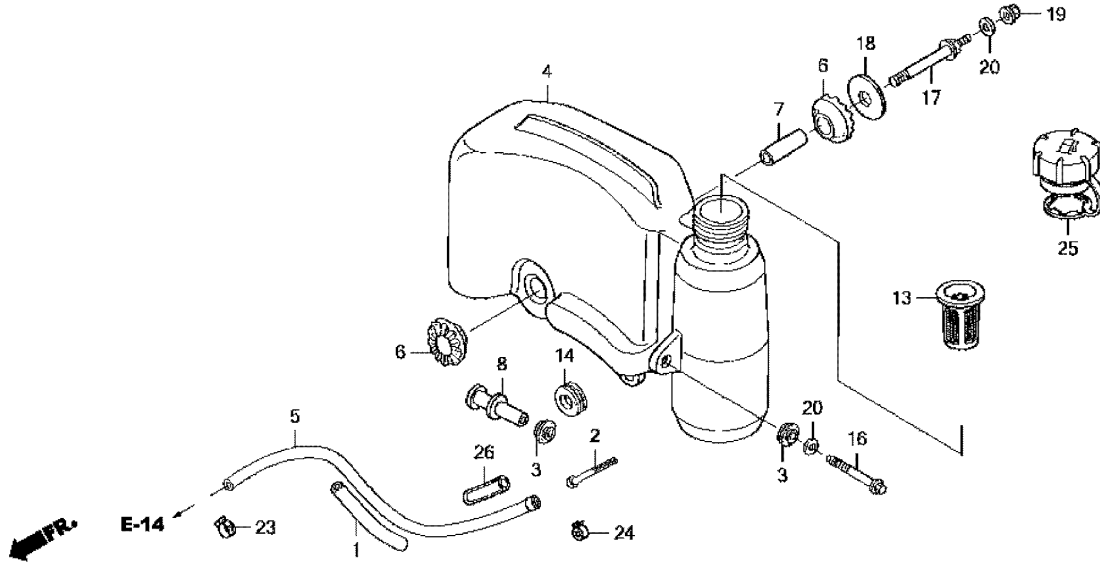
E-22

04/2009

Number	Part Number	Name	Quantity
1	19046	COMMAND	1,000
2	19054	REGULATOR ARM	1,000
3	19055	REGULATOR ROD	1,000
4	19056	SPRING	1,000
5	19057	SPRING	1,000
6	19058	COMMAND	1,000
7	19059	STARTER ROD	1,000
8	18643	SPRING	1,000
9	19060	BRACKET	1,000
10	18827	SPRING	1,000
11	19062	PROTECTION	1,000
12	18496	COLLAR	1,000
13	19101	STOP SWITCH	1,000
14	19102	STOP WIRE	1,000
15	19103	CLAMP	1,000
16	19104	CLAMP	1,000
17	18505	SCREW 6X12	1,000
18	18649	SCREW LEVER	1,000
19	18495	SCREW 5X28	1,000
20	19126	CLAMP	1,000
21	19133	SCREW 4X8	1,000
22	18651	SCREW 5X16	1,000
23	19134	SCREW 5X20	1,000
24	18652	NUT 6MM	1,000
25	18753	SCREW 6X10	1,000

HONDA GXV 160

PL01489



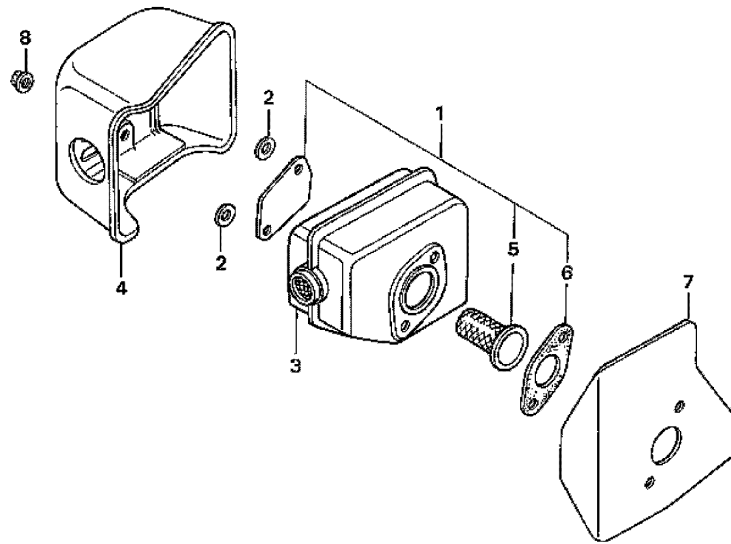
E-17

04/2009

Number	Part Number	Name	Quantity
1	18560	RUBBER BRACKET	1,000
2	19063	STRAINER FILTER	1,000
3	19072	TANK FIX.CAOUTCHOUC	1,000
4	19073	FUEL TANK	1,000
5	19074	FUEL TUBE	1,000
6	19075	CAOUTCHOUC	1,000
7	19076	TANK FIX.COLLAR	1,000
8	19077	COLLAR	1,000
13	19080	PETROL GAUGE	1,000
14	19105	PAD	1,000
16	19110	BOLT 6X47	1,000
17	19112	BOLT	1,000
18	19122	WASHER	1,000
19	18652	NUT 6MM	1,000
20	19138	WASHER 6MM	1,000
23	19142	CLAMP	1,000
24	19143	CLAMP	1,000
25	19079	TANK CAP	1,000
26	19144	TUBE 9X11X30	1,000

HONDA GXV 160

PL01490



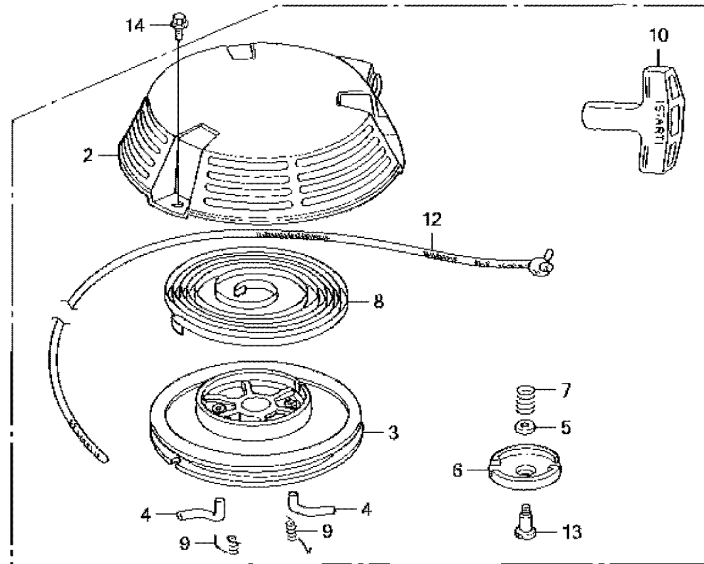
E-16

04/2009

Number	Part Number	Name	Quantity
1	19000	SPARK ARRESTING	1,000
2	19081	GASKET	1,000
3	19082	EXHAUST	1,000
4	19083	HOT PROTECTION	1,000
5	19084	SPARK ARRESTING	1,000
6	19086	GASKET	1,000
7	19085	GASKET	1,000
8	19120	NUT M6	1,000

HONDA GXV 160

PL01491



FR.

E-11

04/2009

Number	Part Number	Name	Quantity
2	19088	STARTER COVER	1,000
3	19089	COILE	1,000
4	19090	STARTER RATCHET	1,000
5	19091	PLATE	1,000
6	19092	RATCHET GUIDE	1,000
7	19093	SPRING	1,000
8	19094	SPRING	1,000
9	19095	SPRING	1,000
10	19097	BUTTOM	1,000
12	19098	CORD 2360 MM	1,000
13	19106	SCREW	1,000
14	19145	BOLT 6X8	1,000